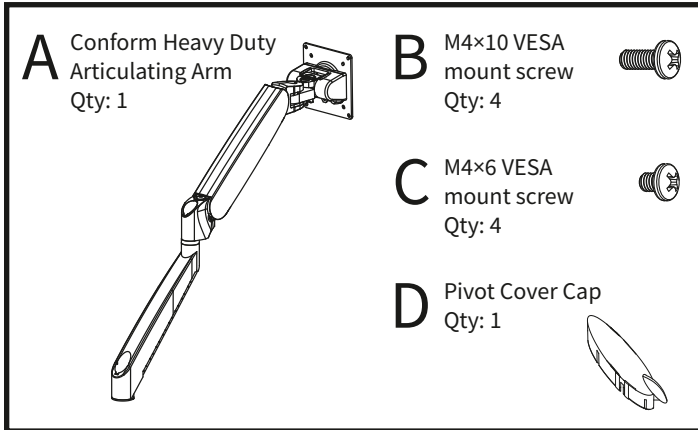


Assembly & Installation Instructions: Conform HD Articulating Arm CONF-1HDA-WOB-S

Parts Included



Required Parts Sold Separately

Selected base option with mounting hardware.

Tools Required

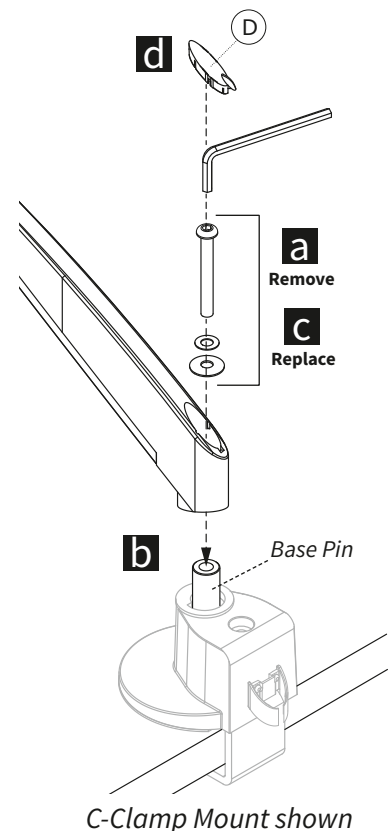
#2 Phillips head screwdriver
2.5 mm Allen wrench (included with base)
5 mm Allen wrench (included with base)



Do not use on hollow core tables.
Do not rotate or suspend arm beyond table surface.
Do not exceed 40 lb.

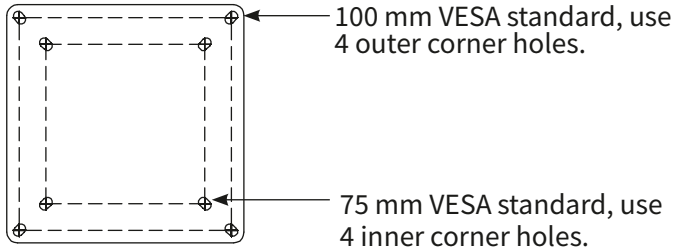
1 Attach Conform HD Articulating Arm to Selected Base

- a** Remove the Bolt and Washers from base (if not already removed.)
- b** Place the Conform Arm on the Base Pin.
- c** Assemble bolt with washers as shown. Insert through the bottom of the arm assembly and into the base. Tighten with 5 mm Allen wrench (included with base). Be sure the arm is tight but rotates freely.
- d** Snap Pivot Cover Cap (D) into top of arm assembly.

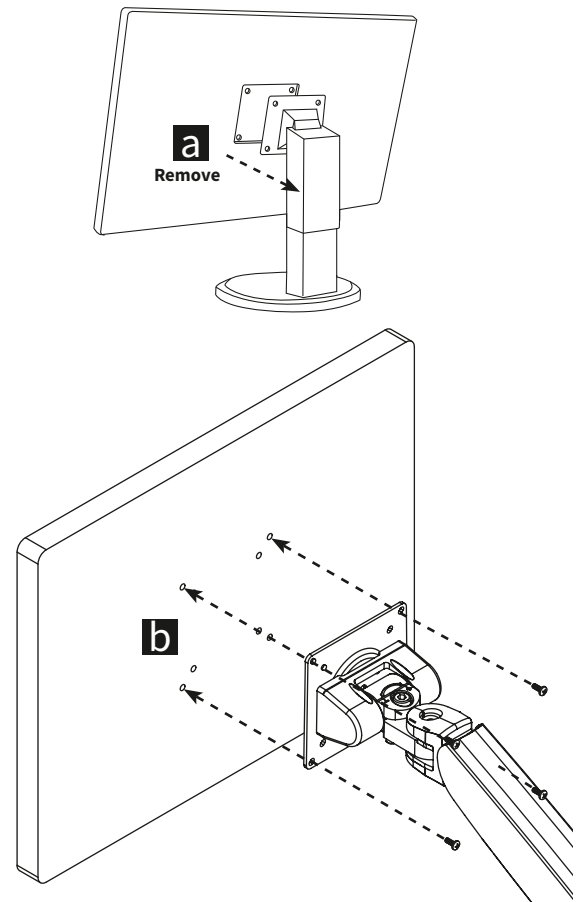


2 Attach the Monitor to the Monitor Arm VESA Plate

- a** Remove the monitor from its stand. Keep the original screws to mount to Conform Arm.
- b** Attach the VESA plate to the VESA holes on your monitor. Use the screws from your monitor if possible.



Important Note: It is strongly recommended to use the mounting screws provided by the monitor manufacturer if possible. If longer screws are required, use either part (B) 10 mm, or (C) 6 mm screws supplied. Always use the shortest screws possible to avoid damage to the monitor.



3 Monitor Capacity Adjustment (Silver Bolts)

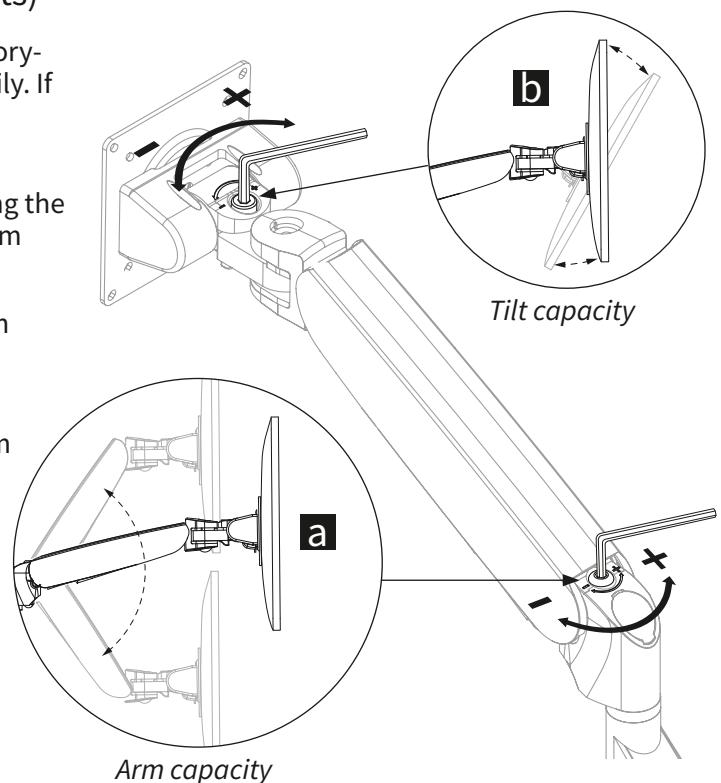
If your monitor is too light or too heavy for the factory-set capacity, the arm will raise, lower or tilt too easily. If this is the case, you need to adjust the tension.

- a Adjusting Arm Capacity**
To increase capacity(+) turn counter-clockwise using the 5 mm Allen wrench included with base, until the arm reaches a balanced adjustment.

To decrease capacity(-) turn clockwise until the arm reaches a balanced adjustment.

- b Adjusting Tilt Capacity**
To increase capacity(+) turn clockwise using a 5 mm Allen wrench until the monitor reaches a balanced adjustment.

To decrease capacity(-) turn counter-clockwise until the monitor reaches a balanced adjustment.



4 Adjusting Pivot Tension (Black Bolts)

a Carefully remove the Pivot Cover Cap (D).

b **Setting Tension**

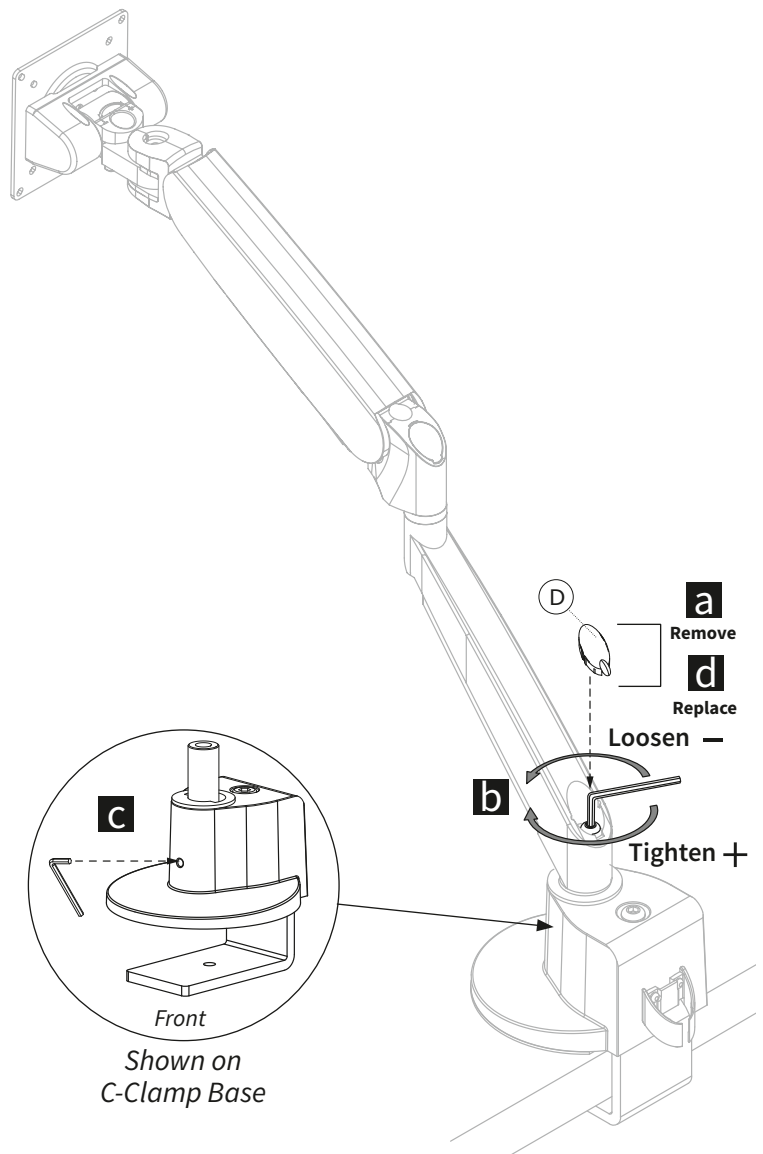
If the arm is loose, turn the adjustment screw clockwise using a 6 mm Allen wrench until the arm is tight and pivots smoothly.

If the arm is tight and does not pivot, turn the adjustment screw counter-clockwise until the arm pivots smoothly.

c **Locking Tension**

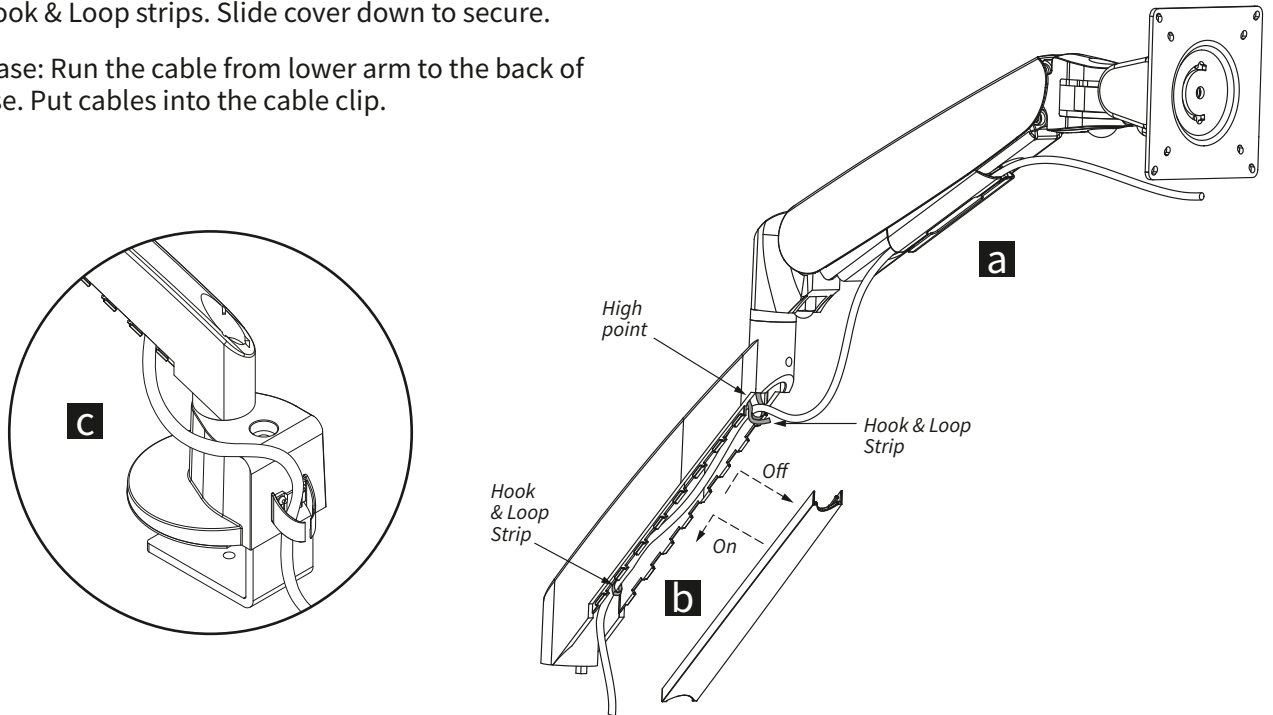
Tighten the Set Screw with 2.5 mm Allen wrench included with base, to lock in the tension level and prevent the joints from loosening or tightening with use.

d Replace Pivot Cover Cap (D) by snapping into top of arm assembly.



5 Cable Management

- a** Upper arm: Insert cables into the recessed area under the upper arm by pushing the cables through the clips.
- b** Lower arm: Remove the cover by sliding it up, then off. Secure cables with Hook & Loop strips. Slide cover down to secure.
- c** Desk Base: Run the cable from lower arm to the back of the base. Put cables into the cable clip.



Note:

Leave sufficient slack in the cables to allow free movement of arm.

✓ Parts & Support

C-Clamp & Grommet Base	CONF-BSE-CCG-S
Two Piece C-Clamp & Grommet Base.....	CONF-BSE-TPCCG-S
Tool Bar & Slatwall Base	CONF-BSE-TSB-S
Wall Plate Base	CONF-BSE-WP-S
Dual Arm Adaptor.....	CONF-ADPT-DA-S
Knoll® Antenna® Adaptor	CONF-ADPT-KA-S
14" Pole Base with C-Clamp & Grommet	CONF-PB-14CCG-S
28" Pole Base with Heavy Duty C-Clamp & Grommet	CONF-PB-28HDCCG-S
Single Pole Mount Adaptor	CONF-ADPT-SPM-S
Dual Pole Mount Adaptor.....	CONF-ADPT-DPM-S
Quick Release Adaptor.....	MON-ADPTVQR-W-B

Technical Support: Please call Workrite Technical Support while at the Workrite product. (800) 959-9675 option 2.