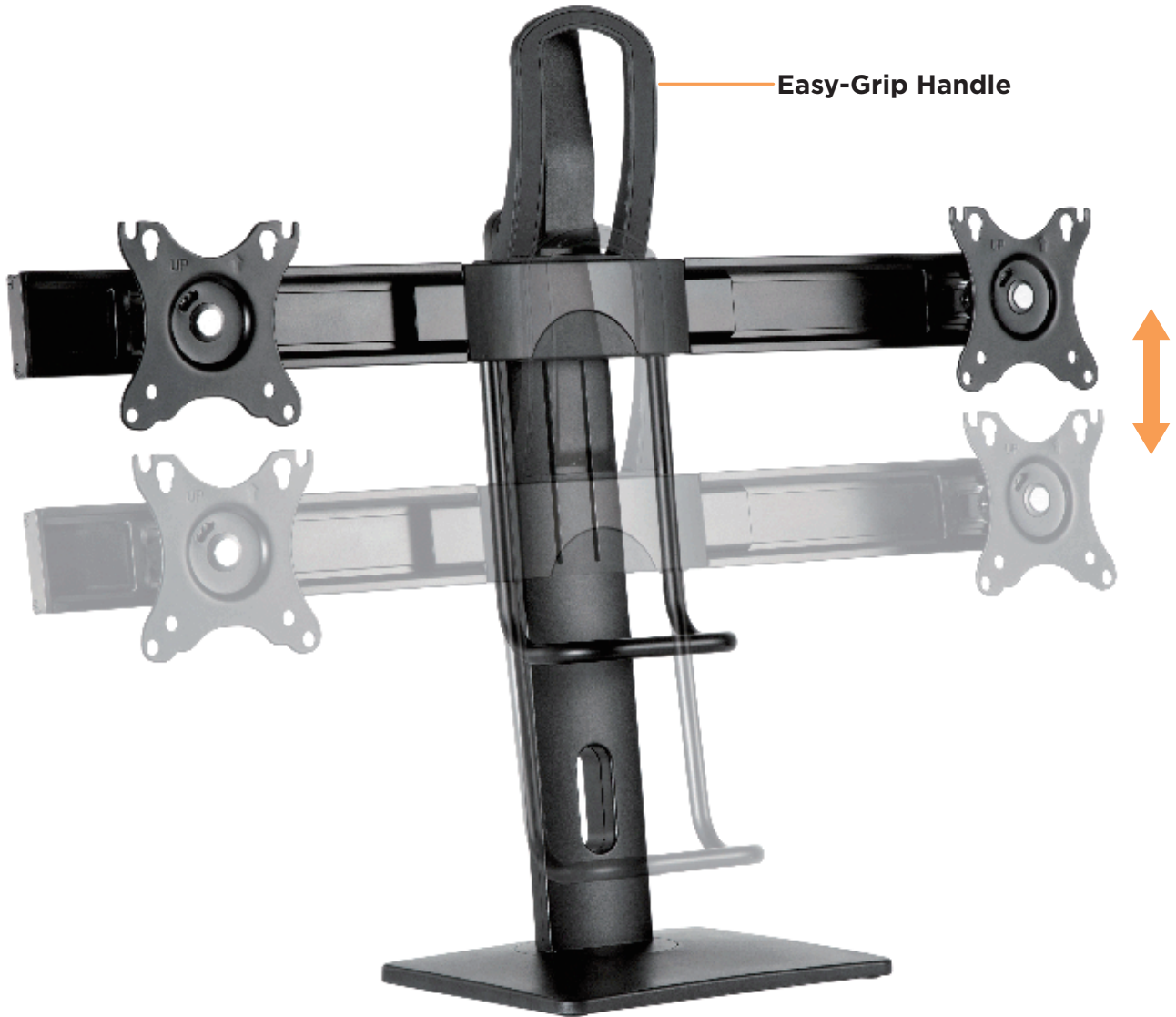


# Easy-To-Adjust **Vertical Lift Monitor Stands**

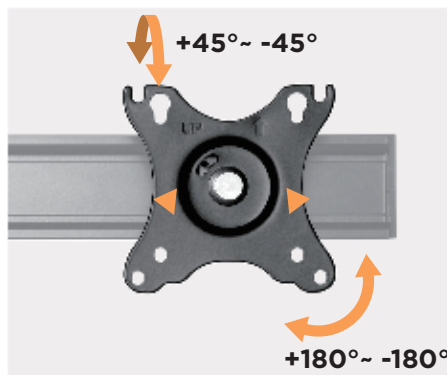
Handle All of Life's Ups and Downs



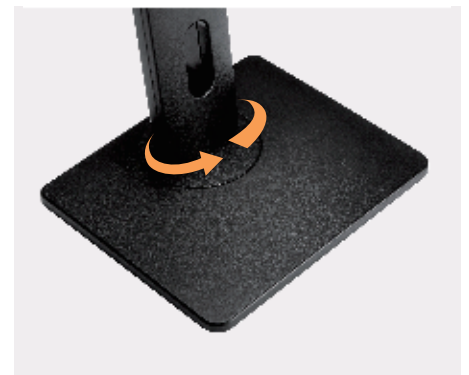
**Easy-To-Adjust Vertical Lift Monitor Stands**



**Keyhole Pattern Design**  
for quick and easy installation



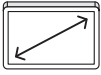
**Full Range of Adjustments**  
for an optimal viewing position



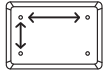
**+40° ~ -40° Rotating Base**  
provides convenience for  
information sharing

## Easy-To-Adjust Vertical Lift Monitor Stands

### MS401



Screen Size  
17"-32"



VESA Compatible  
75x75 100x100



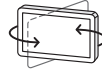
Weight Capacity  
(per screen)  
2-7kg/4.4lbs-15.4lbs



Height Adjustment  
min265mm(10.4")-  
max415mm(16.3")



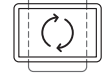
Tilt Range  
+15° - -15°



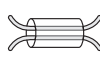
Swivel Range  
+40° - -40°



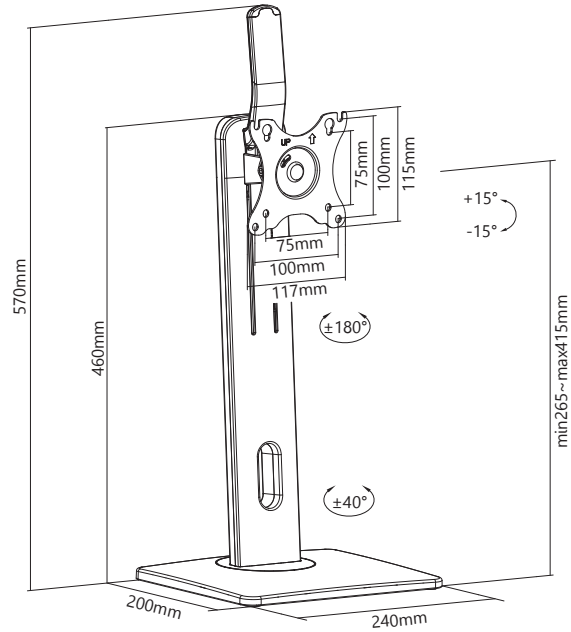
Curved Monitor



Screen Rotation  
+180°--180°



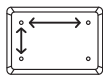
Cable Management



### MS402



Screen Size  
17"-27"



VESA Compatible  
75x75 100x100



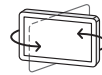
Weight Capacity  
(per screen)  
2-6kg/4.4-13.2lbs



Height Adjustment  
min245mm(9.6")-  
max400mm(15.7")



Tilt Range  
+45° - -45°



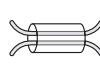
Swivel Range  
+40° - -40°



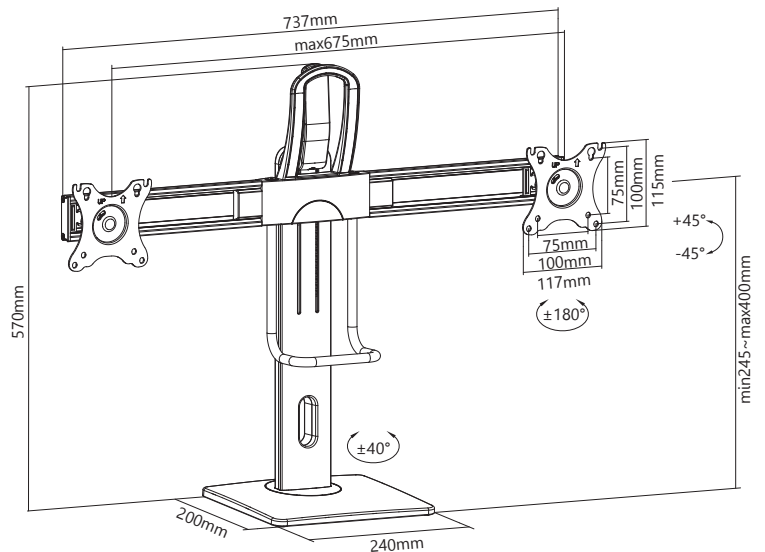
Curved Monitor



Screen Rotation  
+180°--180°



Cable Management



## Economy Steel LCD VESA Desk Mount

For most 13"-27" LCD monitors

 IntekView™

Available For  
**Curved Monitor**



## Economy Steel LCD VESA Desk Mount

For most 13"-27" LCD monitors

### MS302 Arm Extend: 428mm

- 

Screen Size  
**13"-27"**
- 

Weight Capacity  
**8kg/17.6lbs**
- 

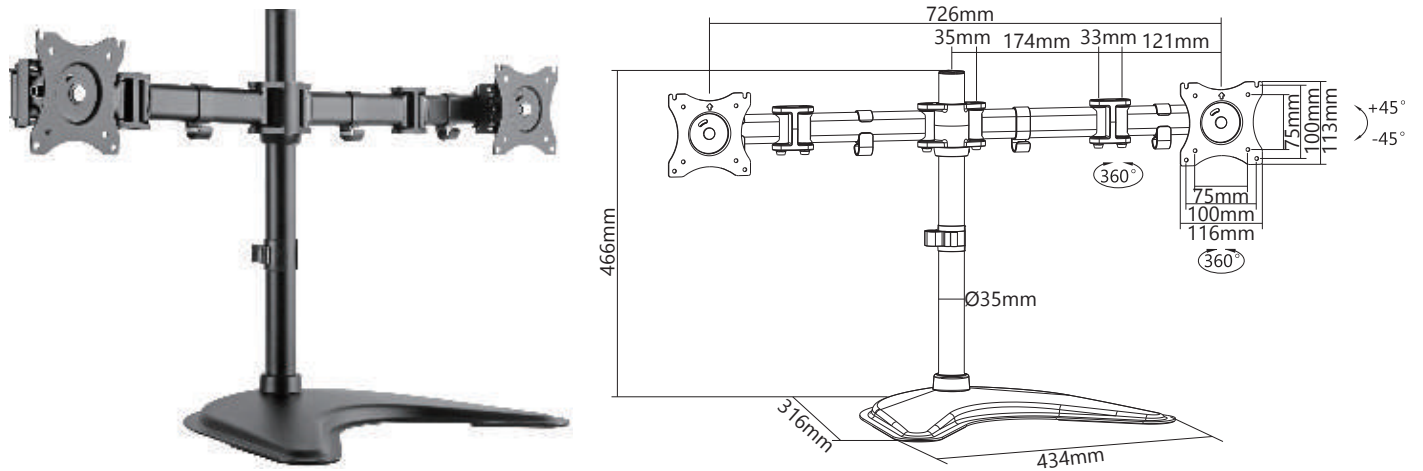
VESA Compatible  
**75x75 100x100**
- 

Tilt Range  
**+45° ~ -45°**
- 

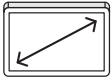
Swivel Range  
**+90° ~ -90°**
- 


Screen Rotation  
**+180° ~ -180°**
- 

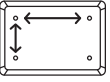
Cable Management




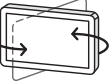
### MS303 Arm Extend: 200mm

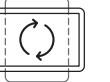
- 

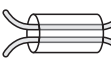
Screen Size  
**13"-27"**
- 

Weight Capacity  
**8kg/17.6lbs**
- 

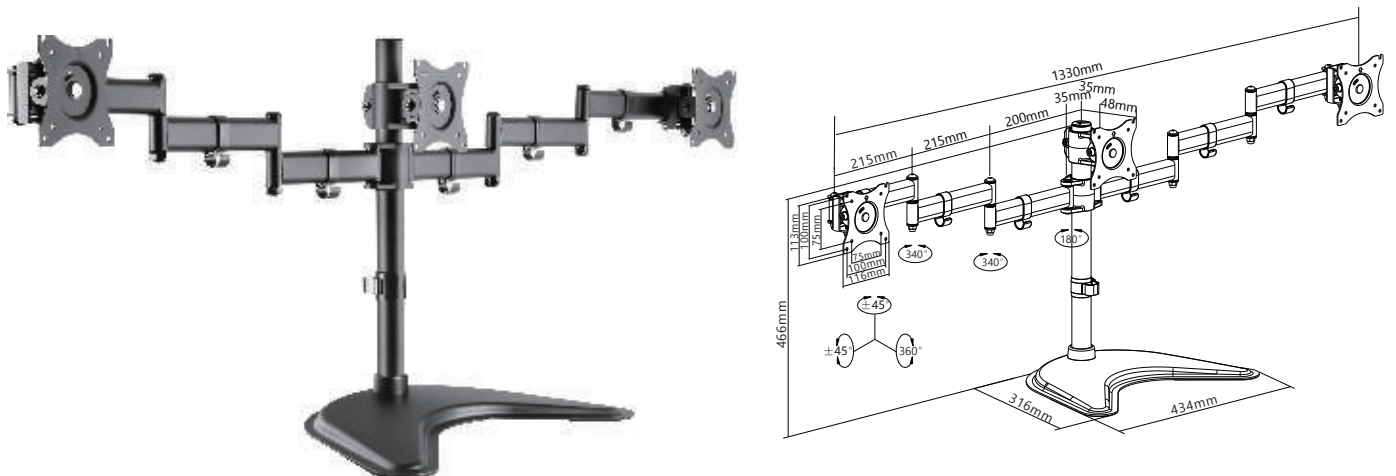
VESA Compatible  
**75x75 100x100**
- 

Tilt Range  
**+45° ~ -45°**
- 

Swivel Range  
**+45° ~ -45°**
- 

Screen Rotation  
**+180° ~ -180°**
- 

Cable Management



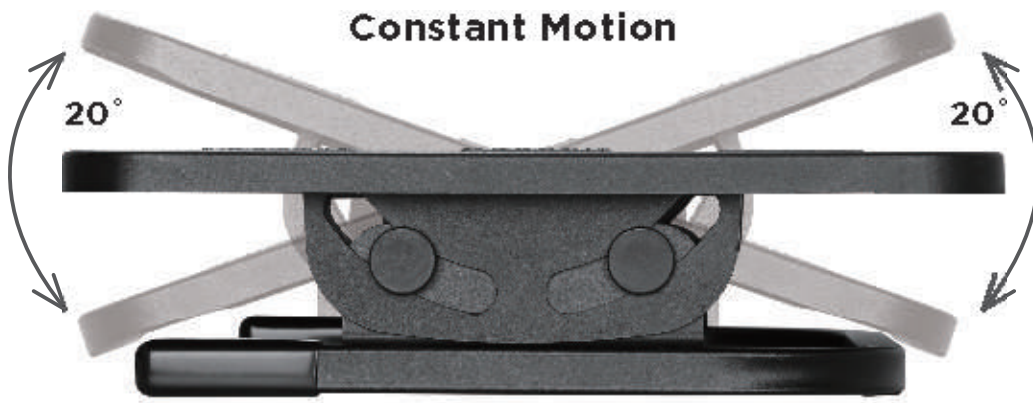
FR200

# Ergonomic Tilttable Steel Foot Rest

FR-09 provides an easy solution to relaxing your feet and legs while seated. It allows you to move your feet in a smooth back and forth motion. Take charge of your health by giving your feet and legs the attention they deserve!



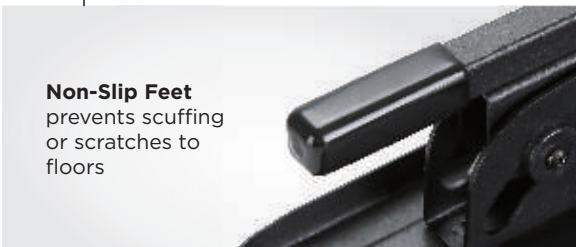
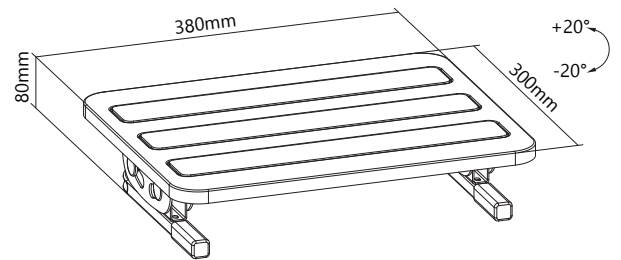
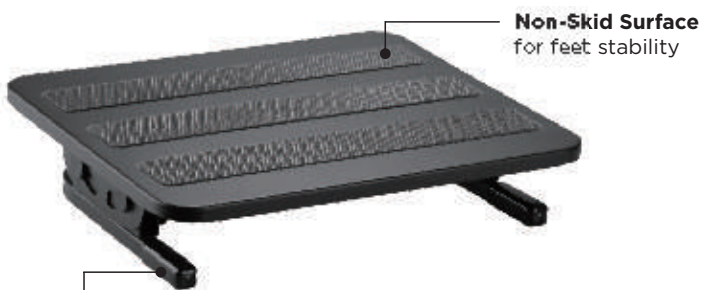
**Ergonomic Tilttable Steel Foot Rest**



**Blood Circulation**



**Muscle Stiffness**



Item No.	FR200
Work Surface Size	380x300x80mm
Work Surface Material	Steel
Angle Adjustment	+20°--20°
Weight Capacity	20kg/44lbs